

Tribhuvan University

Faculty of Education

Entrance Test 2074

Symbol No:

Level: Bachelor Degree

Time: 1½ hrs

Subject: Information and Communication Technology Education

Tick(√) the best answers in your answer sheet

1. Which of the following gives the etymological meaning of education?

- | | |
|--------------------|------------------------------|
| a. Act of teaching | b. Process of learning |
| c. Training | d. Drawing out innate powers |

2. What is the main feature of non-formal education?

- | | |
|-------------------------|---------------------------|
| a. Highly controlled | b. Academic certification |
| c. Need-based education | d. School-based education |

3. When was the Tribhuvan University established in Nepal?

- | | |
|-------------|-------------|
| a. 2011 B.S | b. 2016 B.S |
| c. 2018 B.S | d. 2028 B.S |

4. The main aim of lower secondary level education according to NESP 2028 B.S. was.....

- | | |
|------------------------|--------------------------------|
| a. literacy education | b. developing skilled manpower |
| c. character formation | d. developing useful citizens |

5. Which of the following is not related to the element of instructional process?

- | | |
|--------------|-------------------|
| a. Guardians | b. Educator |
| c. Educand | d. Subject matter |

6. Which of the following is considered as best model for democratic teacher?

- | | |
|-------------------|-----------------|
| a. As an inspirer | b. As a guide |
| c. As a leader | d. As a manager |

7. Psychology is the science of.....

- | | |
|-------------|-------------|
| a. Soul | b. mind |
| c. thinking | d. behavior |

8. In which stage of human development the physical growth is most rapid?

- | | |
|--------------------|--------------|
| a. Infancy | b. Babyhood |
| c. Early childhood | d. Adulthood |

9. The factors which affect happiness in childhood are.....

- | |
|-------------------------------------------|
| a. achievement, acceptance and attitude |
| b. achievement, acceptance and aptitude |
| c. achievement , acceptance and affection |
| d. achievement, acceptance and activity |

10. Which of the following is appropriately related with learning?

- | | |
|------------------------|-----------------------|
| a. Change in knowledge | b. Change in skill |
| c. Change in behavior | d. Change in attitude |

11. Which is the Robert Gagne's theory of learning?

- | | |
|------------------------------------|----------------------------------|
| a. Hierarchical theory of learning | b. Insightful learning theory |
| c. Social learning theory | d. observational learning theory |

12. Kindergarten system of education is developed by.....

- | | |
|---------------|-------------|
| a. Montessori | b. Rousseau |
| c. Froebel | d. Gandhi |

13. The process involved in knowledge, comprehension and application falls under which domain behavior?

- | | |
|-----------------------|-----------------------|
| a. Psychomotor domain | b. Attitudinal domain |
| c. Affective domain | d. Cognitive domain |

14. Which of the following equation is correct?

- | |
|-------------------------------------------------------------------------------|
| a. Different teacher + one subject + single class= subject teaching |
| b. Different teacher + different subject + different class = subject teaching |
| c. One teacher + single class + different subject = subject teaching |
| d. one teacher + different classes + different subject = subject teaching |

15. Which of the following is the most important base for the selection of teaching method?

- | | |
|---------------------------|---------------------|
| a. Maxims of teaching | b. List of content |
| c. Conditions of learning | d. Child psychology |

16. Which of the following is an example of audio-visual aid?

- | | |
|----------------|------------------|
| a. Television | b. Radio |
| c. Chart-graph | d. Tape recorder |

17. Which of the following plan is prepared at central level?

- | | |
|----------------------------|----------------|
| a. Yearly plan | b. Unit plan |
| c. School improvement plan | d. Lesson plan |

18. Which of the following factor is associated with motivation?
 a. Maturation process b. Hereditary process
 c. Growth process d. Learning process
19. "Curriculum is a tool in the hands of the teacher to mould his material (pupil) according to his idea (objective) in his studio (school)". This is defined by.....
 a. Froebel b. Cunningham
 c. Hilda Taba d. Monroe
20. Which of the following type of curriculum is not suitable for lower classes?
 a. Subject centered curriculum b. activity centered curriculum
 c. Experience centered curriculum d. Discipline centered curriculum
21. What is the main purpose of internal evaluation?
 a. Establishing better relationship between teacher and student
 b. To help to use of evaluation tools
 c. Providing feed-back to the student and teacher
 d. Preparing students for examination
22. Which was the first systematic curriculum of Nepal?
 a. According to ARNEC 2018 B.S. b. According to NESP 2028 B.S
 c. According to CIP 2038 B.S d. According to NEC 2049 B.S
23. A subjective type of test encourages....
 a. reliability b. objective scoring
 c. objective answering d. critical thought
24. In our evaluation system of school the homework is an example of.....
 a. formative evaluation b. initial evaluation
 c. summative evaluation d. diagnostic evaluation
25. Which of the following tools of evaluation provides complete information about a student?
 a. Check list b. Rating scale
 c. Anecdotal record d. Cumulative record
26. Which of the following is NOT an input device?
 a. USB Drive b. Keyboard
 c. Joystick d. Mouse
27. Which of the following is NOT an output device?
 a. Monitor b. Keyboard c. Printer d. Speakers
28. Which part is the "Brain" of the computer System?
 a. Monitor b. RAM
 c. ROM d. CPU
29. Who is also known as Father of Computer?
 a. Ada Lovelace b. Tim Berners Lee
 c. Charles Babbage d. Steve Jobs
30. Which of the following memory stores the data permanently?
 a. RAM b. CPU
 c. ROM d. Cache
31. Which of the following is NOT a storage device?
 a. Hard Disk b. SSD
 c. Core2 Duo d. USB Drive
32. What is called for 4 bits?
 a. Nibble b. Bits
 c. quad d. pair bits
33. Which device speed is measurement Giga hertz?
 a. CPU b. Mouse
 c. Keyboard d. Joystick
34. Which is NOT type of computer?
 a. Mini b. Micro
 c. Super d. Macro
35. Which electronic components are used in First Generation Computers?
 a. Transistors b. Integrated Circuits
 c. Vacuum Tubes d. Microprocessor
36. In which system, Computer understands while processing data?:
 a. Binary b. Octal
 c. Decimal d. Hexadecimal
37. What is the highest digit that can appear in an Octal number system?
 a. Seven b. Eight
 c. Fifteen d. Sixteen
38. How many bytes is in one Megabyte?
 a. 1024 b. 1036
 c. 1064 d. 1016

39. Which of the following measuring unit is used for the capacity of hard disk?
- MHz
 - Mbps
 - Gigabytes
 - 52X
40. Which of following is an example of operating System?
- Microsoft Windows
 - Internet Explorer
 - Google
 - Microsoft Word
41. Android is the example of.....
- operating system
 - Application
 - Browser
 - File Name
42. BIOS stands for.....
- Basic Input/Output System
 - Basic Image on System
 - Basic InOut System
 - Basic IO System
43. RAM stand for.....
- Remote Authorization Mechanism
 - Readily Accessed Mailer
 - Random Access Memory
 - Random Authorization Mechanism
44. CD-ROM stands for.....
- Compactable Read Only Memory
 - Compact Data Read Only Memory
 - Compactable Disk Read Only Memory
 - Compact Disk Read Only Memory
45. DOS stands for.....
- Dual Operating System
 - Dual Organized System
 - Disk Organized System
 - Disk Operating System
46. USB stands for.....
- Universal Serial Bus
 - Unique Serial Bus
 - Unified Serial Bus
 - Ubiquitous Serial Bus
47. ADSL is the abbreviation of.....
- Asymmetric Digital System Line
 - Asymmetric Dual Subscriber Line
 - Asymmetric Digital Subscriber Line
 - Asymmetric Dual System Line
48. URL stands for.....
- Universal Resource Locator
 - Uniform Resource Locator
 - Uniform Radio Locator
 - Unite Resource Locator
49. Wi-Fi stands.....
- wireless fidelity
 - wireless family
 - wireless federation
 - wireless future
50. Which of the following will you require to hear music on your computer?
- Video Card
 - Mouse
 - Sound Card
 - Joy Stick
51. Which is NOT type of computer printer?
- Laser
 - LED
 - Inkjet
 - Dot-Matrix
52. Which of the following company is popular for manufacturing of CPU?
- Sony
 - Microsoft
 - Del
 - Intel
53. Which of the Computer Monitor is consumed less power?
- CRT
 - LED
 - LCD
 - LCD Flat
54. Which of the following company is popular for manufacturing of Micro Computer?
- Google
 - Microsoft
 - IBM
 - Intel
55. In what order do these go?
- Bit, Byte, Megabyte, Gigabyte
 - Byte, Bit, Gigabyte, Megabyte
 - Bit, Byte, Megabit, Megabyte, Gigabyte
 - Gigabyte, Megabyte, Bit, Byte
56. What is it called when you remove some information from a file or remove a file from the disk?
- Save
 - Edit
 - Delete
 - remove
57. Which is country level domain name extension?
- .edu
 - .org
 - .com
 - .np

58. What does HTML stand for?
 a. Hyperlink Text Marking Language
 b. Hypertext Mark-up Language
 c. Hyper Textual Mark-up Lingo
 d. Hyper Textual Mark-up Logo
59. What type of virus uses computer hosts to reproduce itself?
 a. Time bomb
 b. Worm
 c. Melissa virus
 d. Macro virus
60. Who is the chairman and chief executive of Facebook, Inc.?
 a. Mark Zuckerberg
 b. Steve Jobs
 c. Bill gates
 d. Jack Dorsey
61. What function key do you use to save file in word processor?
 a. Ctrl + F
 b. F2
 c. Ctrl + S
 d. F12
62. Which is NOT an file extension?
 a. .doc
 b. .png
 c. .exe
 d. .excel
63. Which of the following application software is used for prepared the presentation?
 a. MS Word
 b. MS Excel
 c. MS Paint
 d. MS PowerPoint
64. Which of the following application software is called spreadsheet?
 a. MS Word
 b. MS Excel
 c. MS Paint
 d. MS PowerPoint
65. Which of the following application software is used for edit image?
 a. MS Word
 b. MS Excel
 c. MS Paint
 d. MS PowerPoint
66. Which of the following is NOT programming language?
 a. C++
 b. Java
 c. C#
 d. Excel
67. Which of the following symbol is used to separate the your name and domain name in email?
 a. @
 b. #
 c. %
 d. &
68. Which of the following is example of social media?
 a. Facebook
 b. PHP
 c. Linux
 d. Fortran
69. Which of the following describes malicious computer programs such as viruses, worms, and Trojan horses?
 a. Arson
 b. Software piracy
 c. Malware
 d. Larceny
70. Which is NOT cybercrime?
 a. Cyber Bulling
 b. Hacking
 c. Searching
 d. password theft
71. You are protected against identity theft on the Internet if you have a to keep out hackers and criminals.
 a. firewall
 b. router
 c. switch
 d. guard
72. Two or more computers is interconnected each other to share information is called:
 a. Computer Network
 b. Computer Lab
 c. Internet
 d. Cabling
73. Unique name of computer in Network is called:
 a. IP Address
 b. Computer Name
 c. MAC Address
 d. Registry
74. Which of the following is NOT computer cable which is used for computer networking?
 a. Fiber Optical
 b. UTP
 c. Coaxial
 d. Microwave
75. Which is NOT mobile apps for communication?
 a. Fiber
 b. Messenger
 c. WhatsApp
 d. office
76. The base two numeral 111 is written in the base ten numeral as:
 a. 6
 b. 7
 c. 8
 d. 16
77. Which number comes in the sequence 16, 32, 64, 128, 256,.....?
 a. 425
 b. 512
 c. 625
 d. 725

78. HCF of 84 and 270 is:

- a. 8
- b. 6
- c. 4
- d. 2

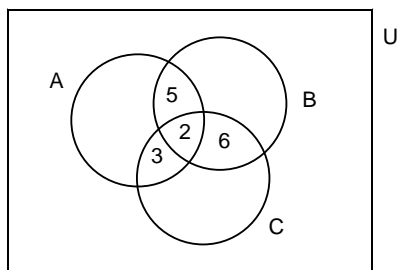
79. Which one of the following is in ascending order?

- a. $\frac{1}{2}, \frac{1}{4}, \frac{1}{6}, \frac{1}{7}$
- b. $\frac{1}{7}, \frac{1}{6}, \frac{1}{4}, \frac{1}{2}$
- c. $\frac{1}{7}, \frac{1}{4}, \frac{1}{2}, \frac{1}{6}$
- d. $\frac{1}{6}, \frac{1}{7}, \frac{1}{2}, \frac{1}{4}$

80. If $10_2=2, 11_2=3, 100_2=4, 101_2=5$, Then 1001_2 equals to

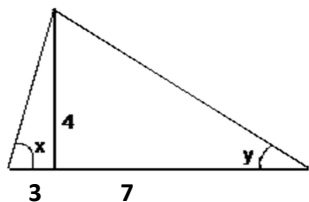
- a. 6
- b. 7
- c. 8
- d. 9

81. Which one of the following is set A?



- a. $A=\{2, 3, 6\}$
- b. $A=\{5, 2, 6\}$
- c. $A=\{5, 2, 3\}$
- d. $A=\{3, 5, 6\}$

82. The values of tanx and coty are



- a. $\frac{3}{4}$ and $\frac{7}{4}$
- b. $\frac{4}{3}$ and $\frac{4}{7}$
- c. $\frac{4}{3}$ and $\frac{7}{4}$
- d. $\frac{3}{4}$ and $\frac{4}{7}$

83. The sum of three numbers is 100. If one is added to the difference of first two equals to the difference of last two numbers, what are the numbers?

- a. 1, 33 and 66
- b. 2, 34 and 64
- c. 8, 36 and 56
- d. 10, 35 and 55

84. For any non-zero integers a,b,c which of the following represents associative ----- for multiplication?

- a. $a+(b+c)=(a+b)+c$
- b. $a \times (b \times c) = (a \times b) \times c$
- c. $a+(b+c)=(b+c)+a$
- d. $(a \times b) \times c = c \times (a \times b)$

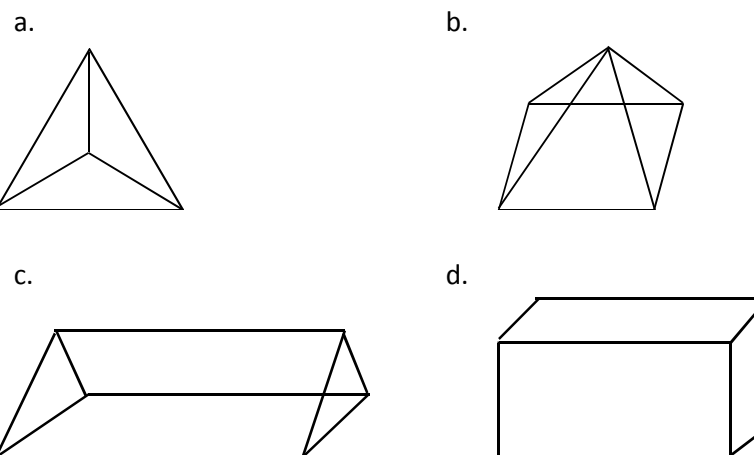
85. If the sum of the roots is 5 and their product is 6 then the quadratic equation is

- a. $x^2+5x+6=0$
- b. $x^2-5x+6=0$
- c. $x^2-6x+5=0$
- d. $x^2+6x+5=0$

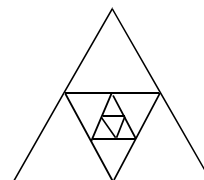
86. The geometric shape of Nepal can be approximated as a

- a. Triangle
- b. Square
- c. Circle
- d. Rectangle

87. Which of the following solid figure has four faces?



88. The total number of triangles in the figure is



- a. 4
- b. 12
- c. 13
- d. 15

89. The circumference of the circular base of a cylinder is 44cm and its height is 10cm. Find the volume of the cylinder.

- a. 1504cm^3
- b. 4150cm^3
- c. 1450cm^3
- d. 1540cm^3

90. Find the volume and surface area of a sphere of diameter 21 cm.
- a. 461 cm^3 and 131 cm^2 b. 87 cm^3 and 1386 cm^2
 c. 4851 cm^3 and 5541 cm^2 d. 4851 cm^3 and 1386 cm^2
91. What is the slope of this line $7y=4x-3$?
- a. 4 b. 7
 c. $4/7$ d. $-1/4$
92. The value of polynomial $5x-4x^2+3$, when $x=-1$ is:
- a. -6 b. 6 c. 2 d. -2
93. 15th term of the Arithmetic progression, $x-7, x-2, x+3, \dots$ is:
- a. $x+63$ b. $x+73$
 c. $x+83$ d. $x+53$
94. Which of the following can NOT be the sides of the right angled triangle?
- a. 3, 4, 5 b. 6, 8, 10
 c. 5, 6, 11 d. 5, 12, 13
95. If $a=b$ and $c=d$; which of the following is not true?
- a. $a/b=c/d$ b. $ac=bd$
 c. $ad=bc$ d. $ab=cd$
96. What is value of $5! + 4! - 3!$?
- a. 42 b. 69
 c. 138 d. 136
97. What is the 31st term of the sequence: 1, 4, 7, 10,?
- a. 90 b. 91
 c. 92 d. 93
98. Suppose a vector $A=3i-j+2k$. What is the magnitude of the vector A?
- a. 4 b. $\sqrt{12}$
 c. $\sqrt{14}$ d. 14
99. If the center of circle is 1,3. and radius is 10 units. Find the equation of circle.
- a. $(x-1)^2 + (y-3)^2 = 100$ c. $(x+1)^2 + (y+3)^2 = 100$
 b. $(x-1)^2 + (y-3)^2 = \sqrt{100}$ d. $(x-1)^2 + (y-3)^2 = -100$
100. Airplane was detected on the Radar flying 7400 miles in 3 min, what is the estimated speed per hour?
- a. 1480 miles/h. b. 14080 miles/h.
 c. 148000 miles/h. d. Speed of light.